



750A

Commercial Sectional Doors
2" Heavy-Duty Aluminum

750A

Dark Bronze with Satin Etch Glass



750A

BEST



Door: Ltd Lifetime



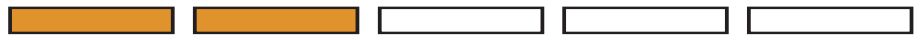
Hardware: 1 yr



Springs: 1 yr

- Commercial Extruded Aluminum
- 4 Color Options
- 2" Heavy-Duty Sections
- 6 + Panel Insert Options

Thermal Rating



Customizations



Low Maintenance



Luxury Level



Section Detail

SECTION DETAIL 750A doors feature 2" thick Tongue and Groove joints and are constructed using heavy-duty commercial grade 6063-T5 extruded aluminum alloy box-type (enclosed) stiles and rails joined together with self-tapping screws. These doors meet or exceed ASTM/DASMA 102-2011 standards.

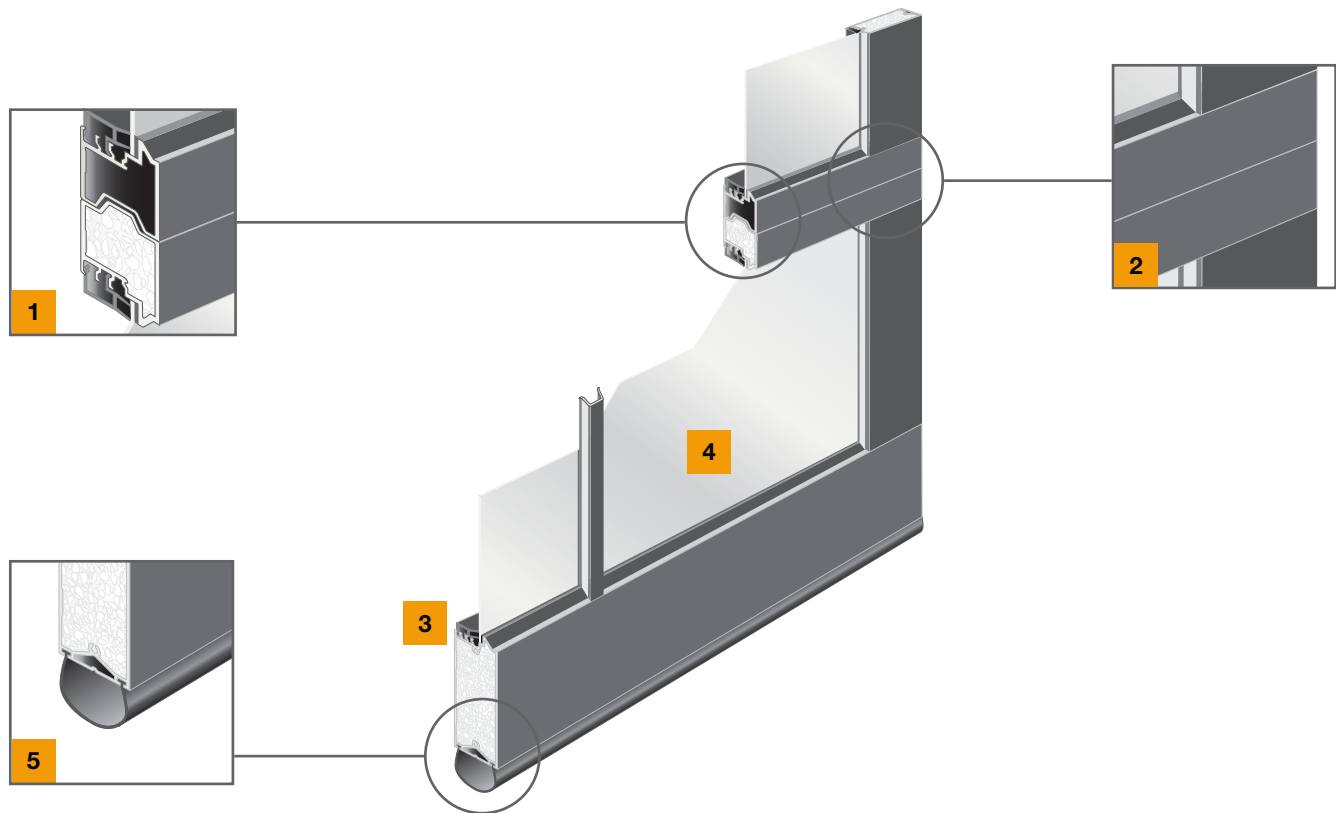
Left Page Image: Dark Bronze Anodized Finish with Satin Etch Glass

Bottom Image: Close-up of a dark bronze anodized frame with satin etch glass.

750A

Panel Features

Superior Quality Commercial Aluminum Products



Tongue & Groove Section Joints **1**

Precisely designed thermally broken section joints reduce air infiltration and create weather tight seal.

Anodized Aluminum Frame **2**

Frame members are mechanically fastened at joints creating an exceptionally high strength door frame.

Optional Insulation **3**

(EPS) polystyrene insulation is optional in the door frame. Insulated glass is also available.

Glass panels **4**

1/8" tempered glass is standard in the 750A. A wide variety of other options are available.

Bottom Weather Seal **5**

Keeps out wind, rain, debris and other elements for added energy savings.

Panel Design Options

CHOOSE YOUR PANEL DESIGN.

Panels come in a wide range of different styles allowing you to choose the perfect match for the design of your property.



- 1 Expanded Aluminum
- 2 .0625" Perforated
- 3 .25" Perforated
- 4 .50" Perforated
- 5 Clear Anodized
- 6 White Corrugated

*Other options available
Please consult your
representative.



750A Clear Anodized Finish with Clear Anodized Panels

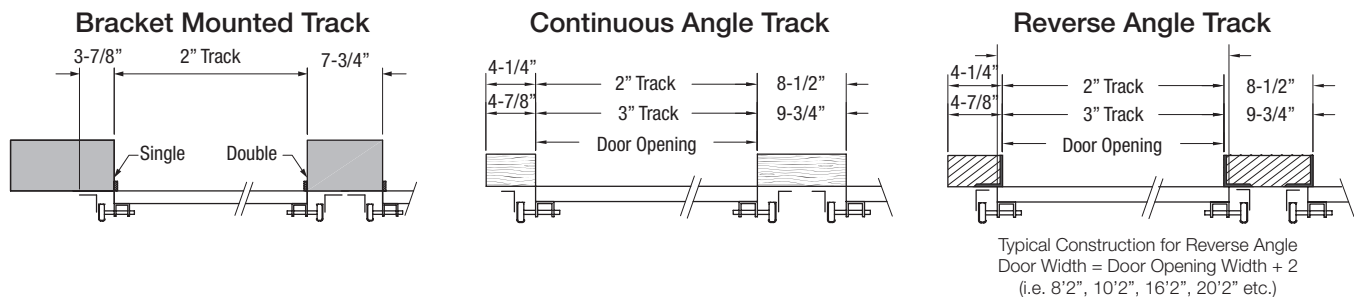
750A

Panel Design Options

Track Options

CHOOSE THE TRACK OPTION THAT BEST SUITS YOUR NEEDS.

Track options include angle mounted, low clearance, high lift, and vertical lift. Track also available in 3".



Additional Options

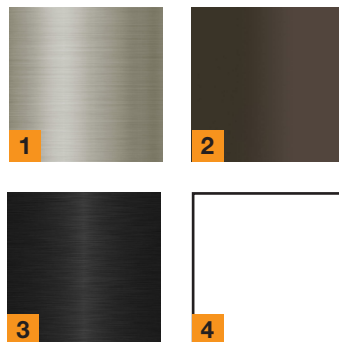
- 25,000, 50,000 and 100,000 Cycle Torsion Springs
- Single Pane and Insulated Glass
- Double End Hinges and Long Stem Rollers
- Chain Hoist or Motor Operated Options
- Powder Coated Hardware



Color Options

CHOOSE YOUR BEST MATCH.

Panels are available in four standard colors ready for your personal touch to enhance the look of your space.



- 1 Clear Anodized
- 2 Dark Bronze Anodized
- 3 Black Anodized
- 4 White Painted



Glass Options



- 1 Clear
- 2 Greylite
- 3 P516 Obscure
- 4 Bronze
- 5 Satin Etch
- 6 Black Laminated
- 7 White Laminated

HÖRMANN NORTH AMERICA



Sparta, TN - North American Headquarters / Sectional Doors

FIVE PRODUCTION PLANTS, ONE FAMILY



Puyallup, WA - Sectional Doors



Montgomery, IL - Sectional Doors



Barrie, ON (CAN) - High Performance Doors



Burgettstown, PA - High Performance Doors

As one of the world's leading manufacturers of doors we're committed to providing the best quality, value, and selection. Whether residential, commercial or industrial, we have the door you're looking for. Each Hörmann product gives you the perfect array of benefits and options to satisfy your customers.

Eastern and Central US

Toll Free: 877.654.6762
Email: info1@hormann.us
Website: hormann.us

Western US

Toll Free: 800.522.2264
Email: info@northwestdoor.com
Website: northwestdoor.com

Canada

Toll Free:
Email: info@northwestdoorcanada.ca
website: nwdca.ca

Follow us on social media



AVAILABLE FROM:

